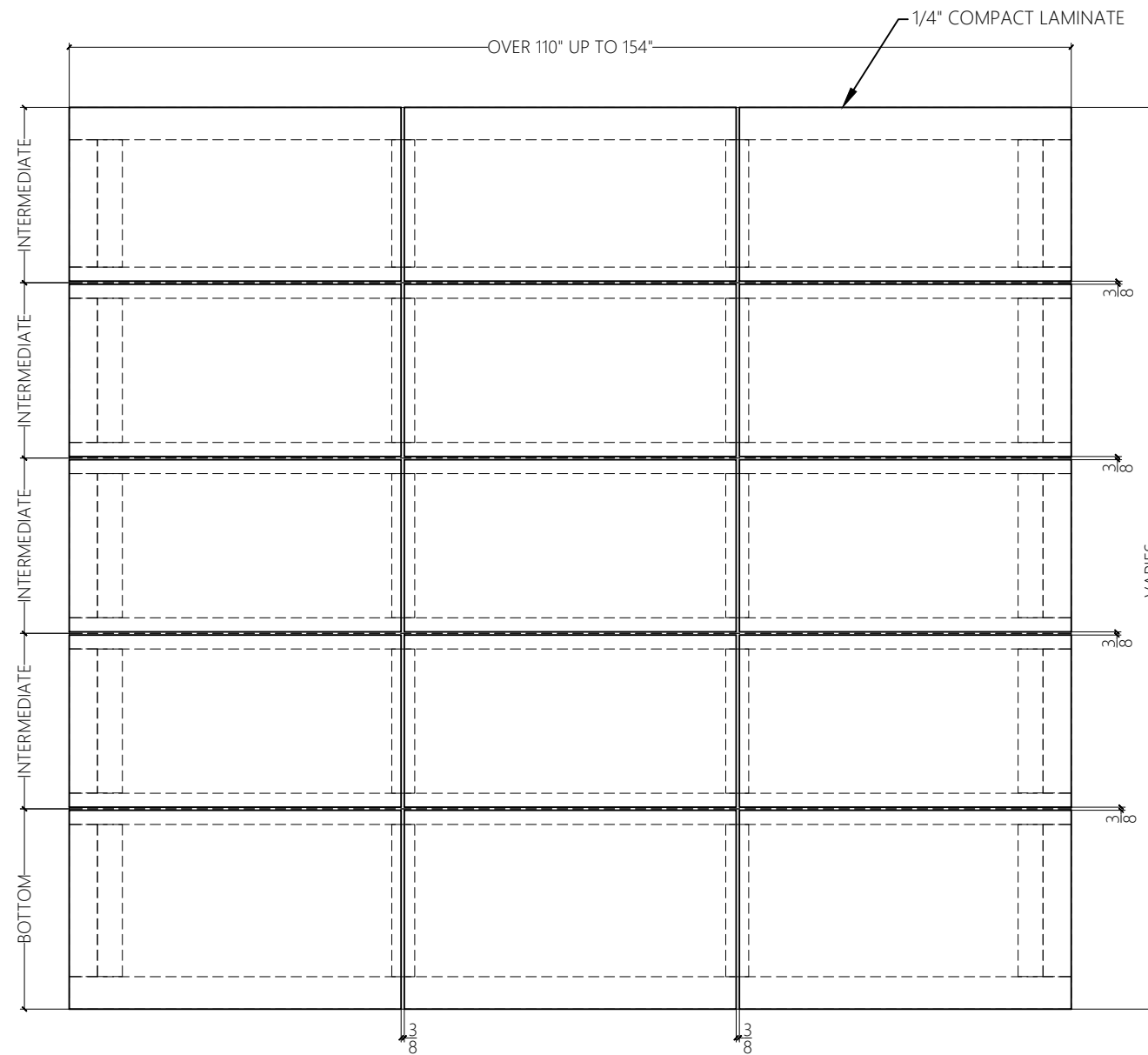
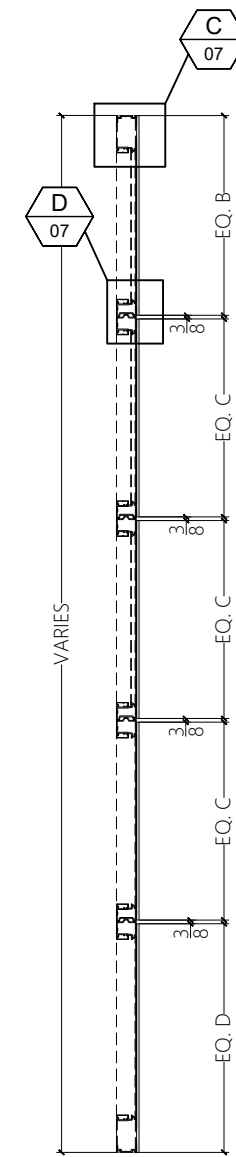


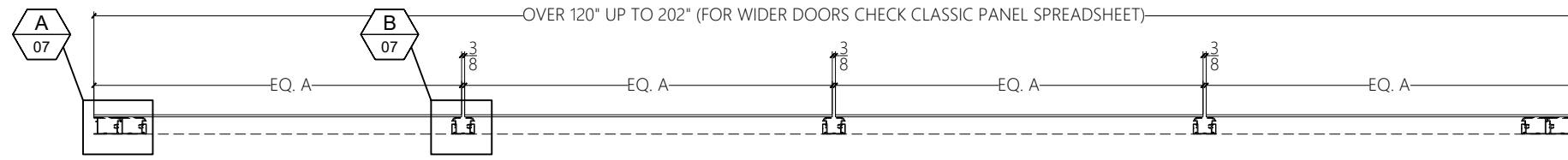
PLAN SECTION



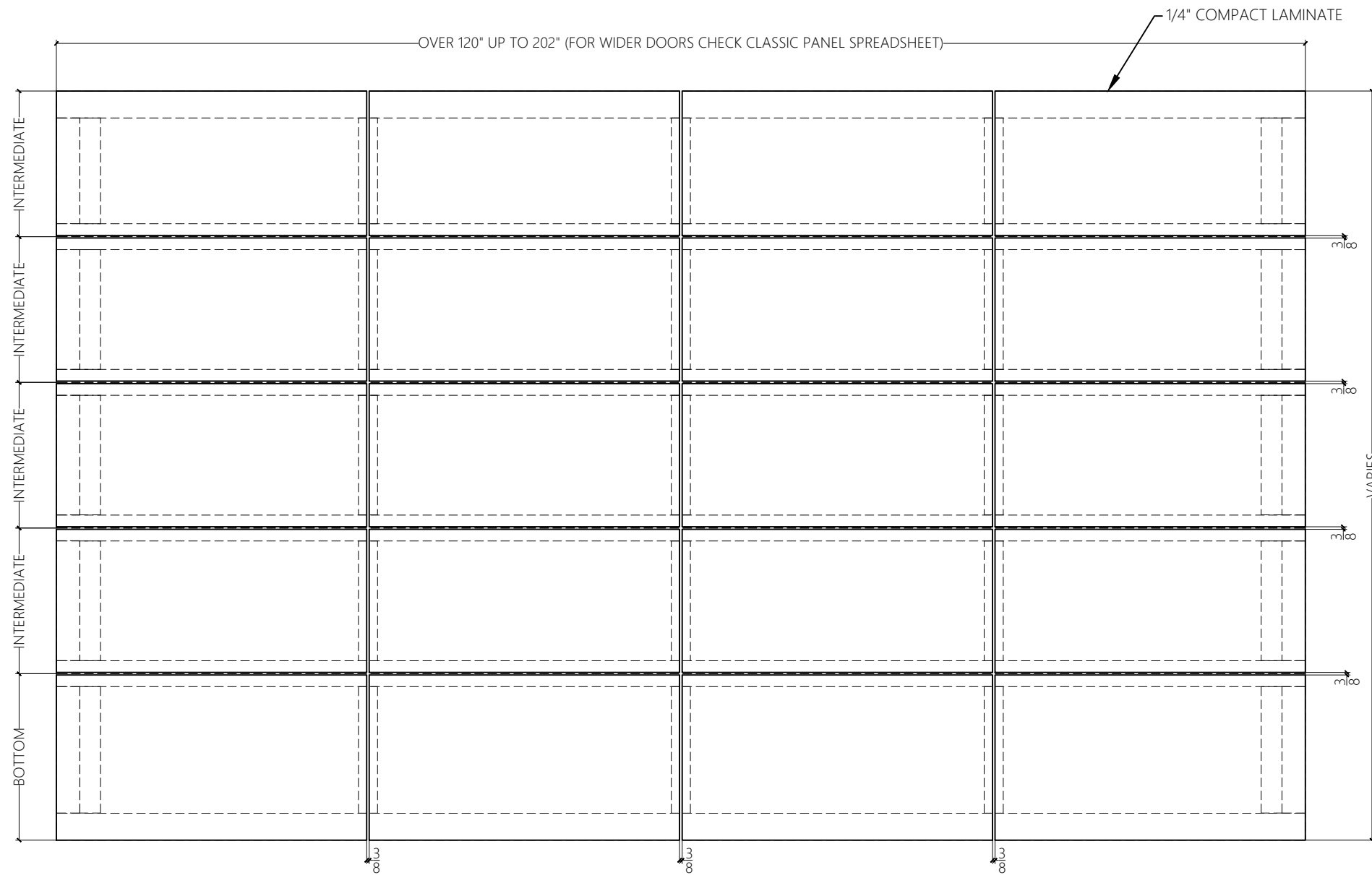
EXTERIOR ELEVATION



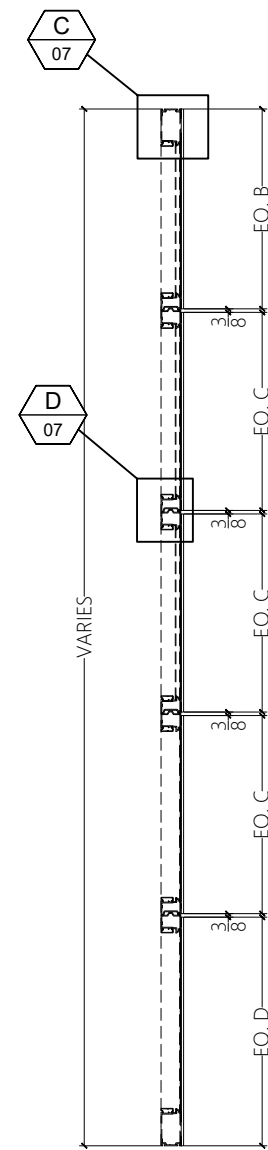
CROSS SECTION



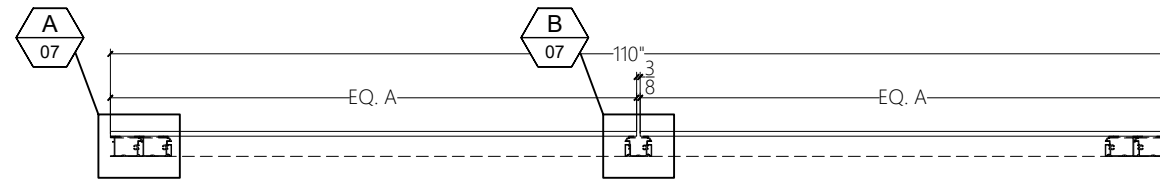
PLAN SECTION



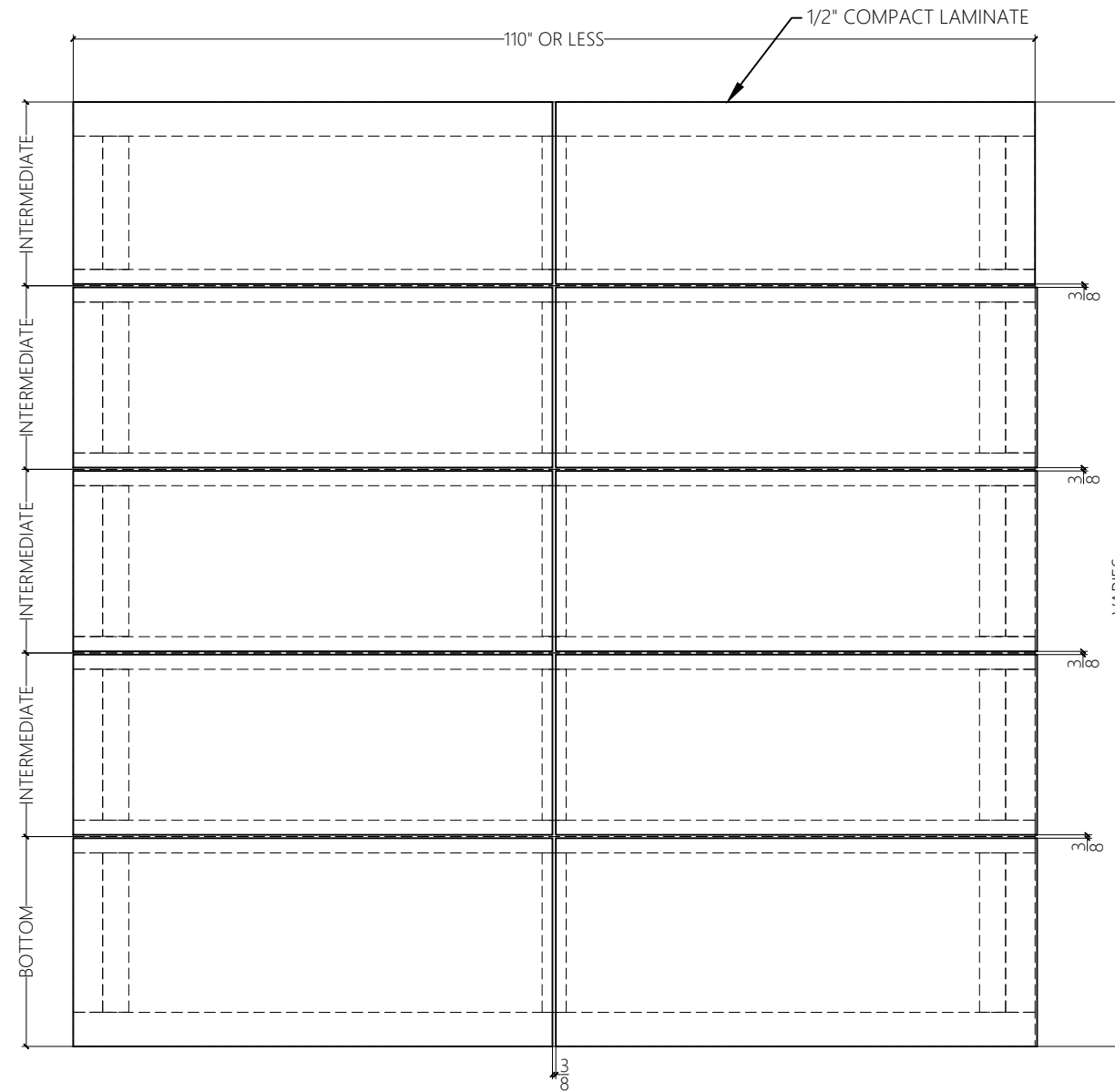
EXTERIOR ELEVATION



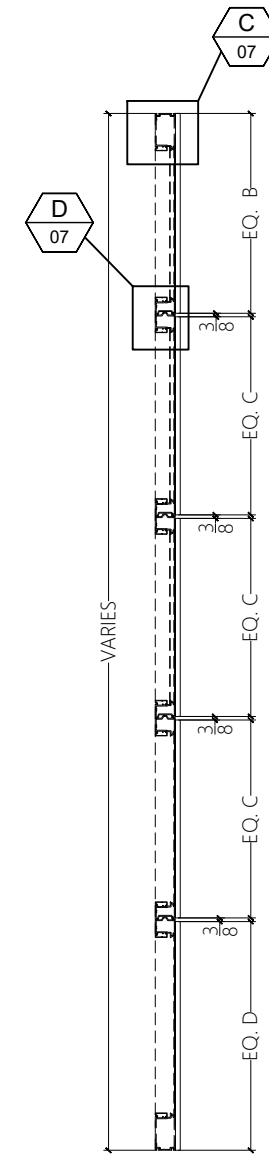
CROSS SECTION



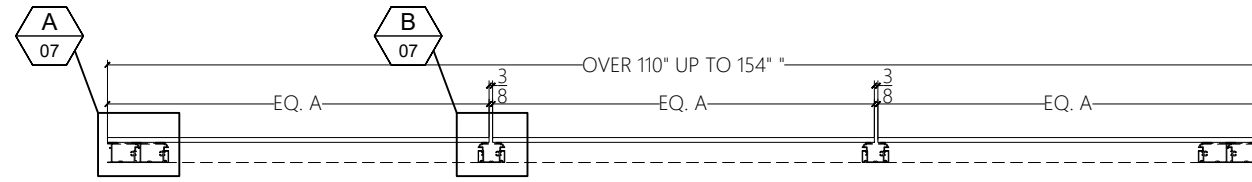
PLAN SECTION



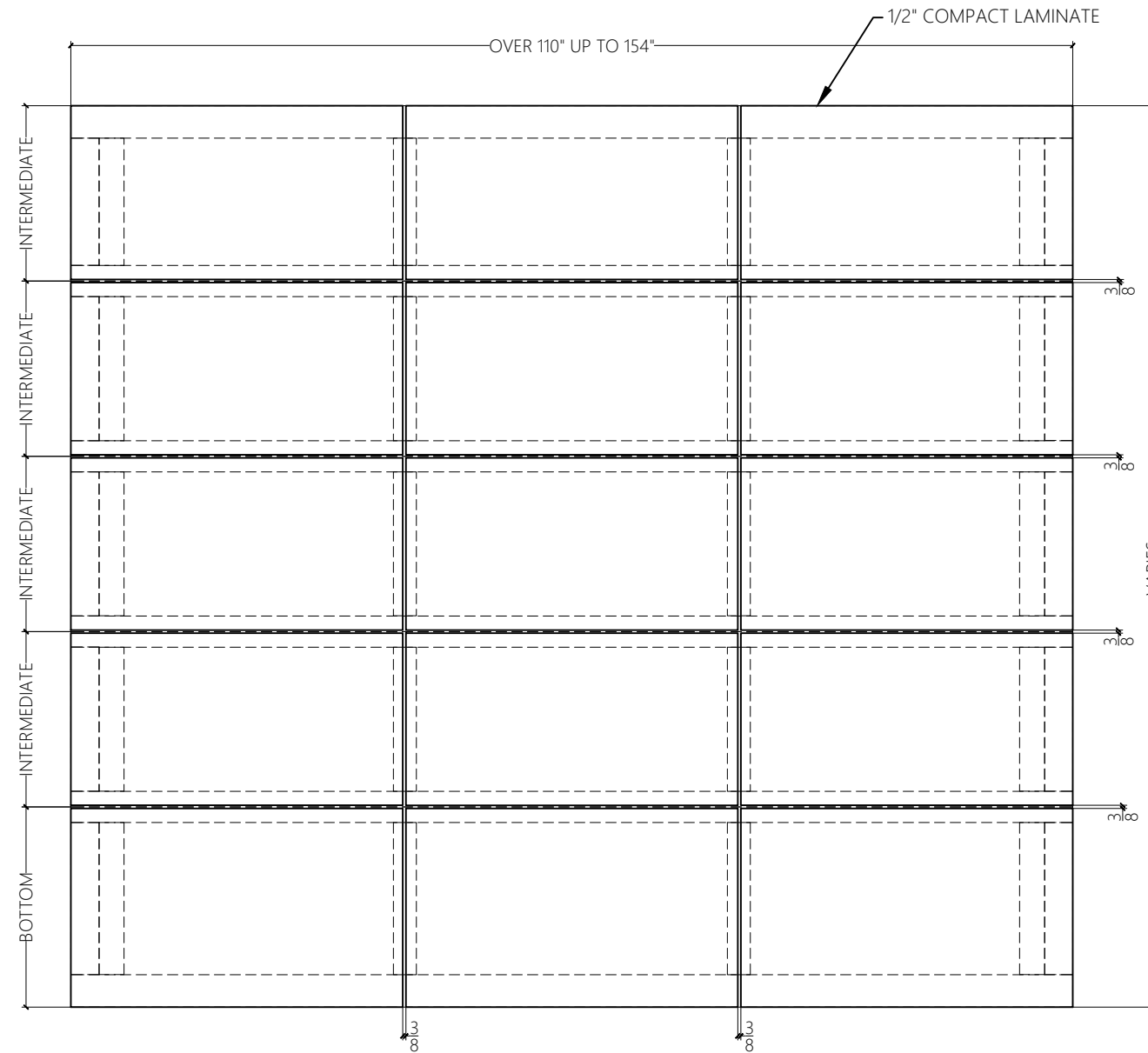
EXTERIOR ELEVATION



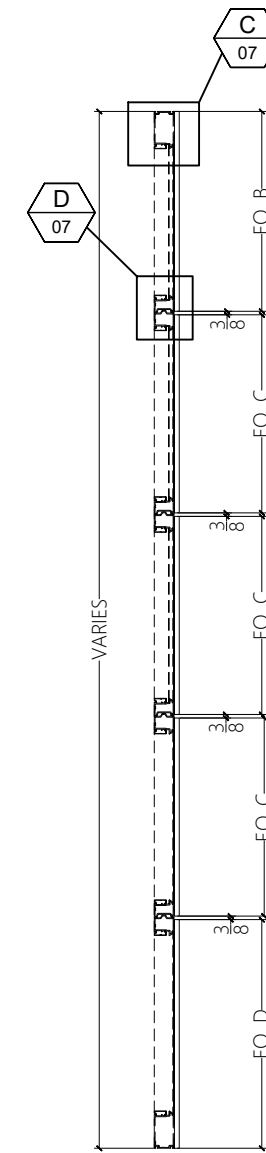
CROSS SECTION



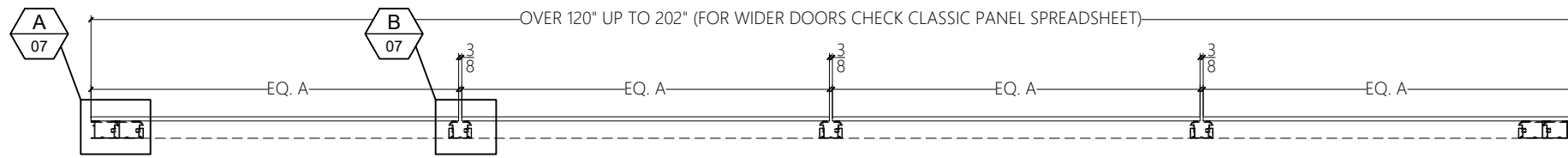
PLAN SECTION



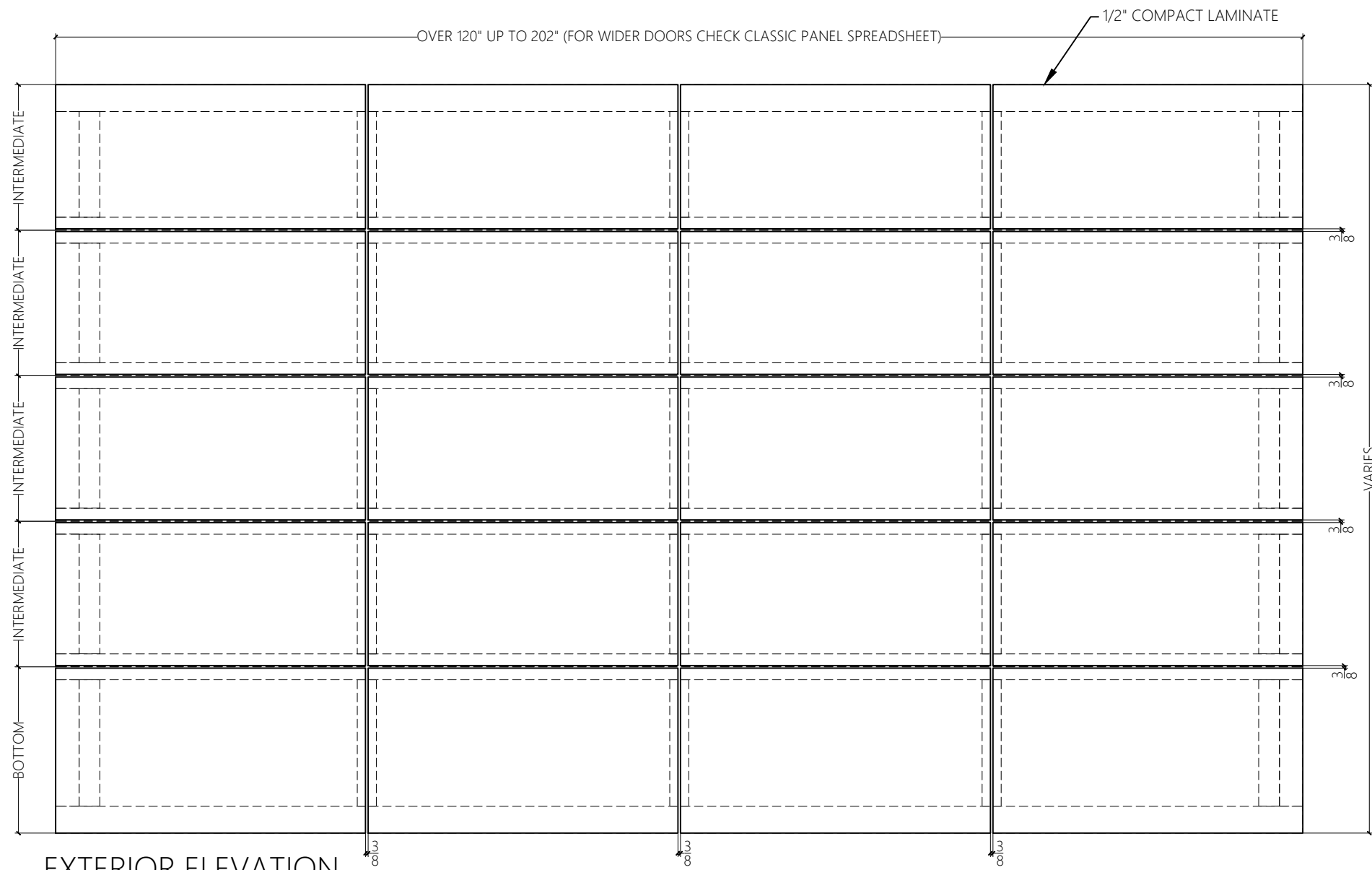
EXTERIOR ELEVATION



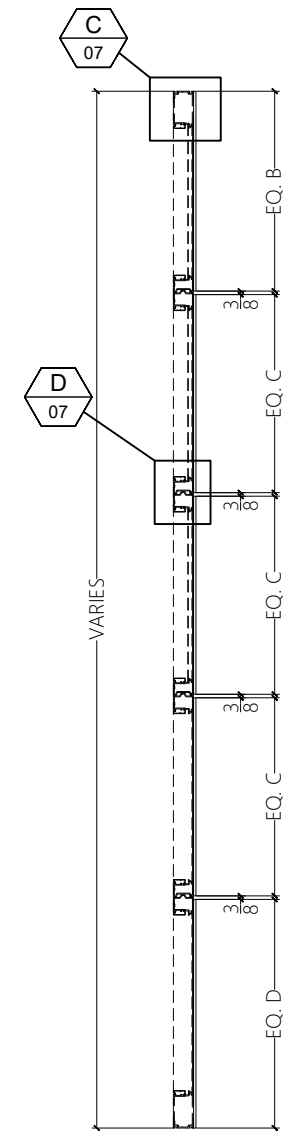
CROSS SECTION



PLAN SECTION

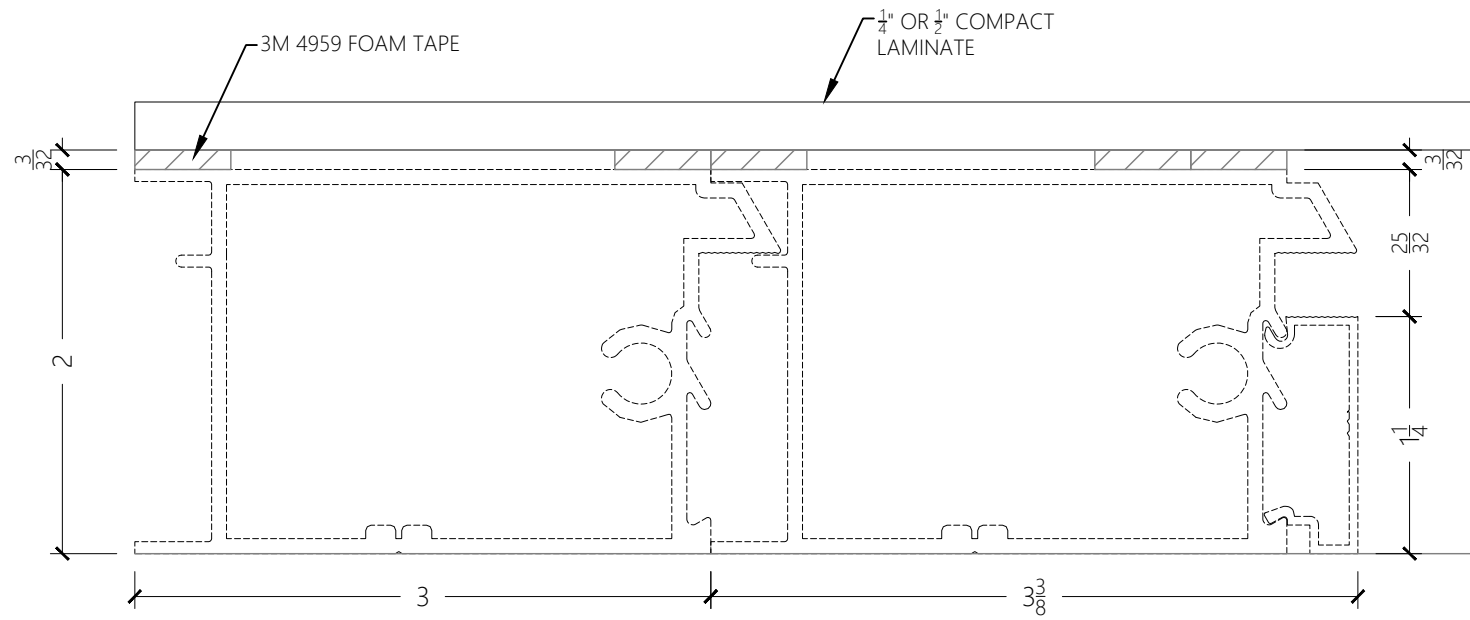


EXTERIOR ELEVATION

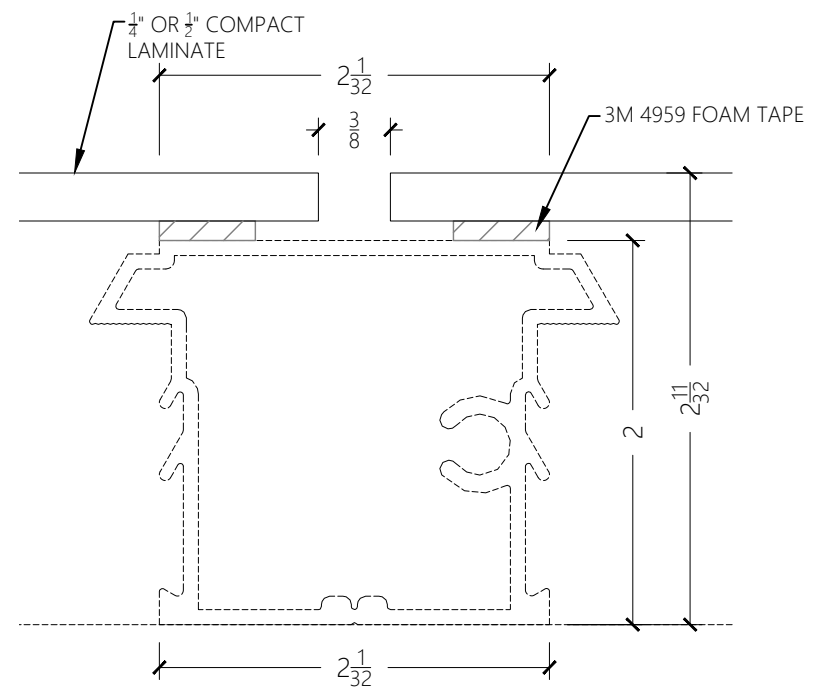


CROSS SECTION

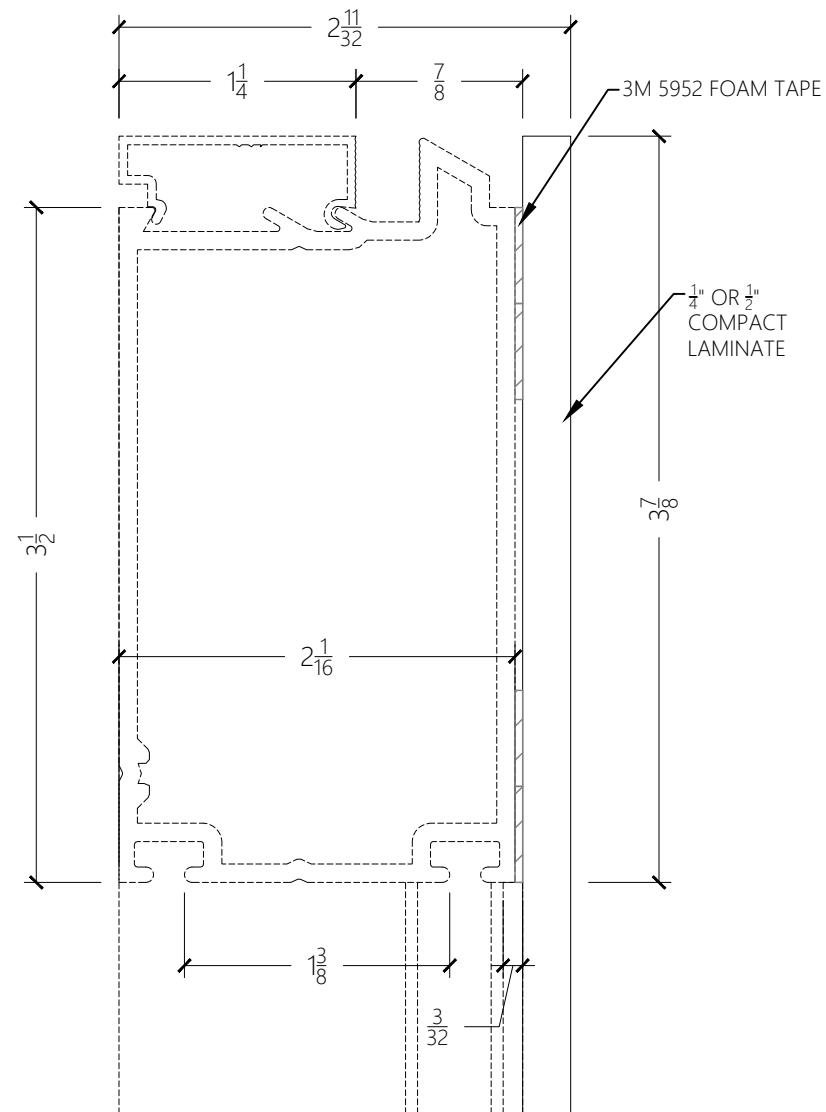
MODEL AX3592



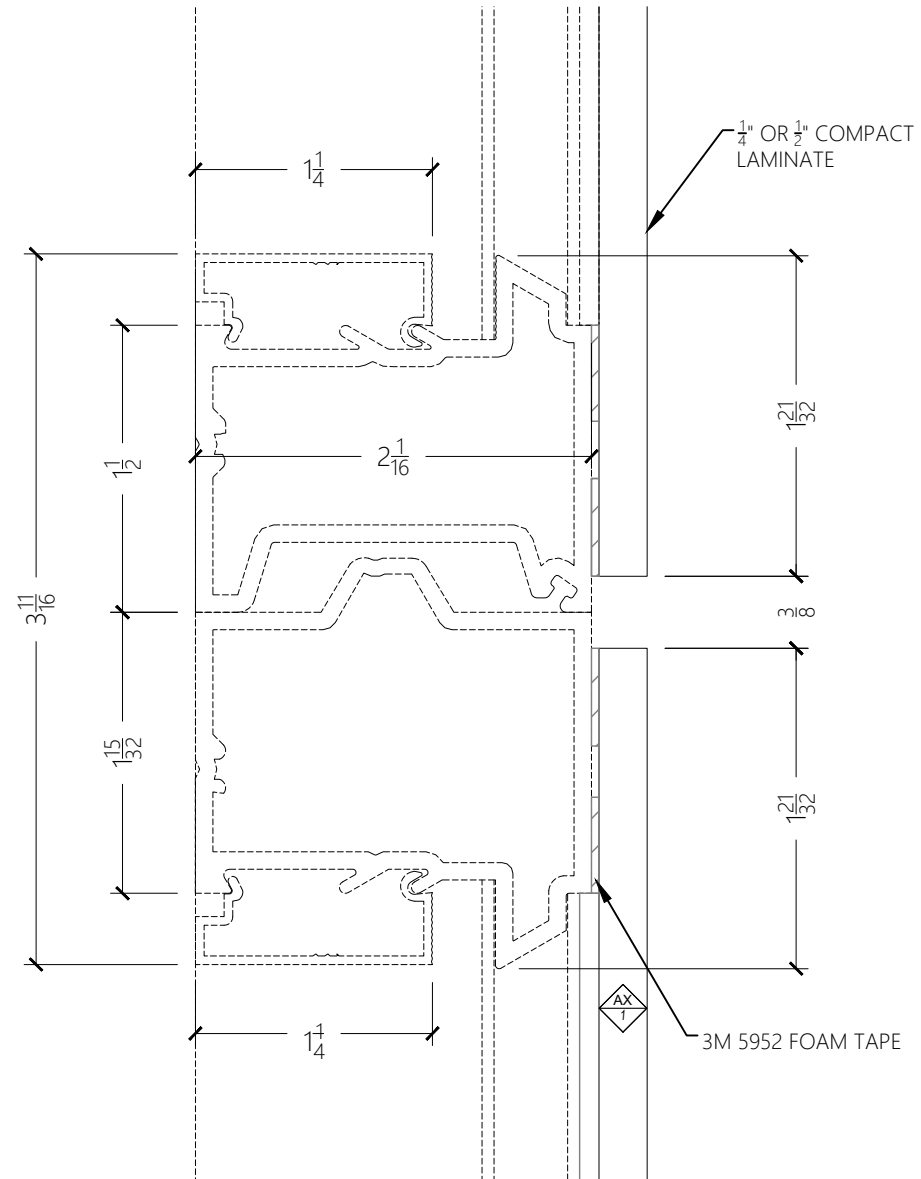
(A) F.S. DETAIL



(B) F.S. DETAIL



(C) F.S. DETAIL



(D) F.S. DETAIL

